

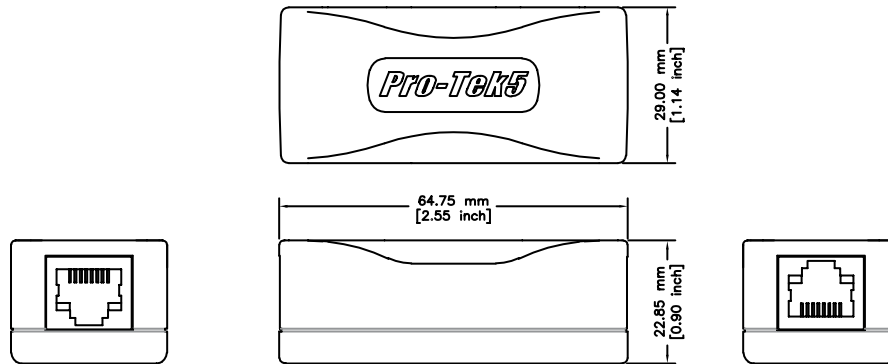
Pro-Tek5 Systems, Ltd.

Ethernet Isolators with ESD Protection

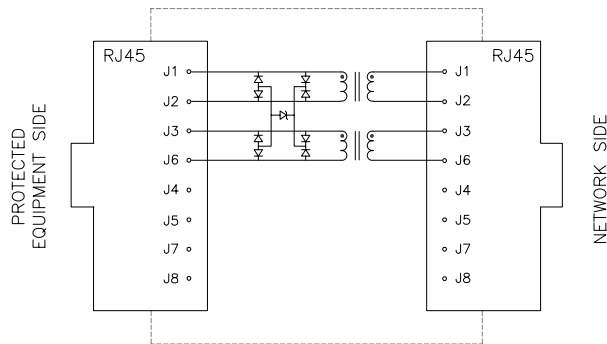
The PTE-5T series is an advanced ESD protector providing 5kV isolation as well as common and differential ESD protection to each of the data pairs. This series of protectors is ideal for critical medical and Industrial Ethernet applications requiring full IEEE802.3 compliant return loss and insertion loss performance.



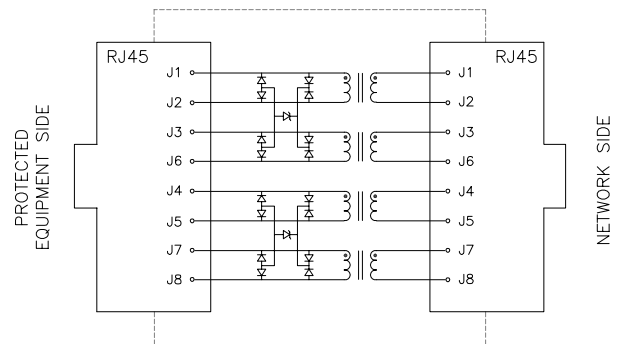
Mechanical Drawing



Circuit Drawings



Circuit A



Circuit B

5kV Isolation
 UL94V-0 materials
 UL/EN60950 and DEMKO Recognized Reinforced Insulation Transformer

IEC61000-4-2
 CONTACT 8kV
 AIR 15kV

Pro-Tek5 Systems P/N	Application	Operating Temp.	Circuit
PTE-5T101009	10BASE-T, 10/100BASE-TX	-40 / +85C	A
PTE-5T1G0010	Gigabit 1000BASE-T	-40 / +85C	B

Pro-Tek5 Systems, Ltd. products are available exclusively through Halo Electronics, Inc. For more information, please contact Halo Electronics, Inc. at www.haloelectronics.com or contact your local HALO representative or distributor.